

VERSABLOCK
by Freedom Inc

www.versablock.com

P: (208) 454-8168

E: versablock@qwestoffice.net

COMPATIBLE WITH STRUT
CLAMPING SYSTEM

UV RESISTANT & UL
FLAME RATED
(NOT TO EXCEED
150 F CONTINUOUSLY)

WARRANTY
20 YEARS

CONTACT
AREA 27 IN²

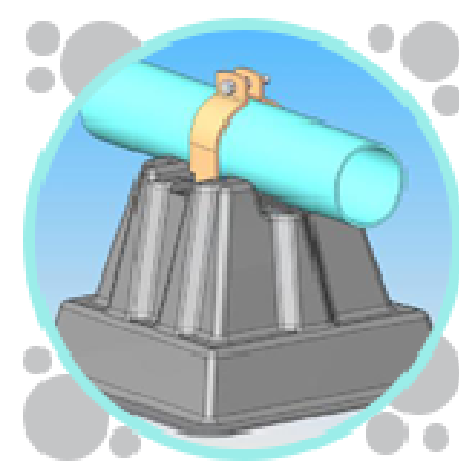
6" TALL PIPE
SUPPORT

HOLDS A 0.75" TO 3" PIPE WITH
OR WITHOUT HOLD-DOWN STRAPS

100 LBS WEIGHT RATING

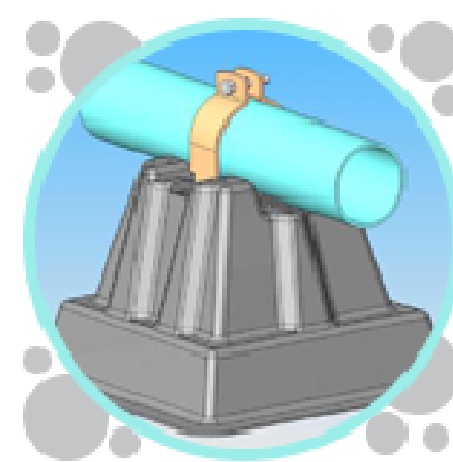
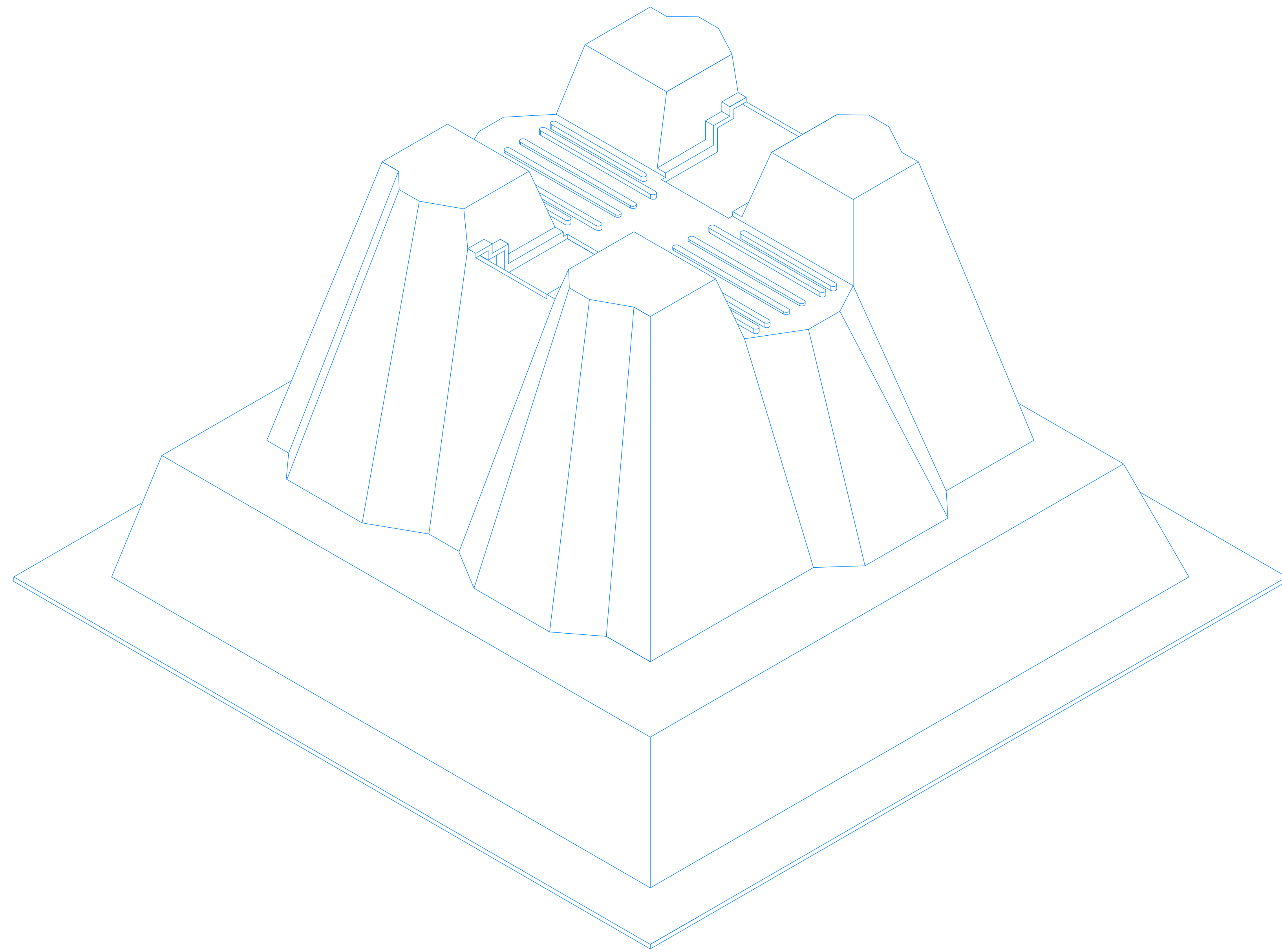
FREE FLOATING USED WITH OR
WITHOUT SLIP SHEET AND
ATTACHED WITH ADHESIVE.

9.75" (TYP. OF 4)



VERSABLOCK
by Freedom Inc

www.versablock.com
P: (208) 454-8168
E: versablock@qwestoffice.net

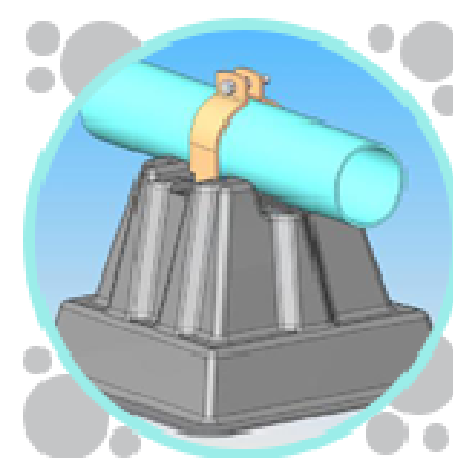
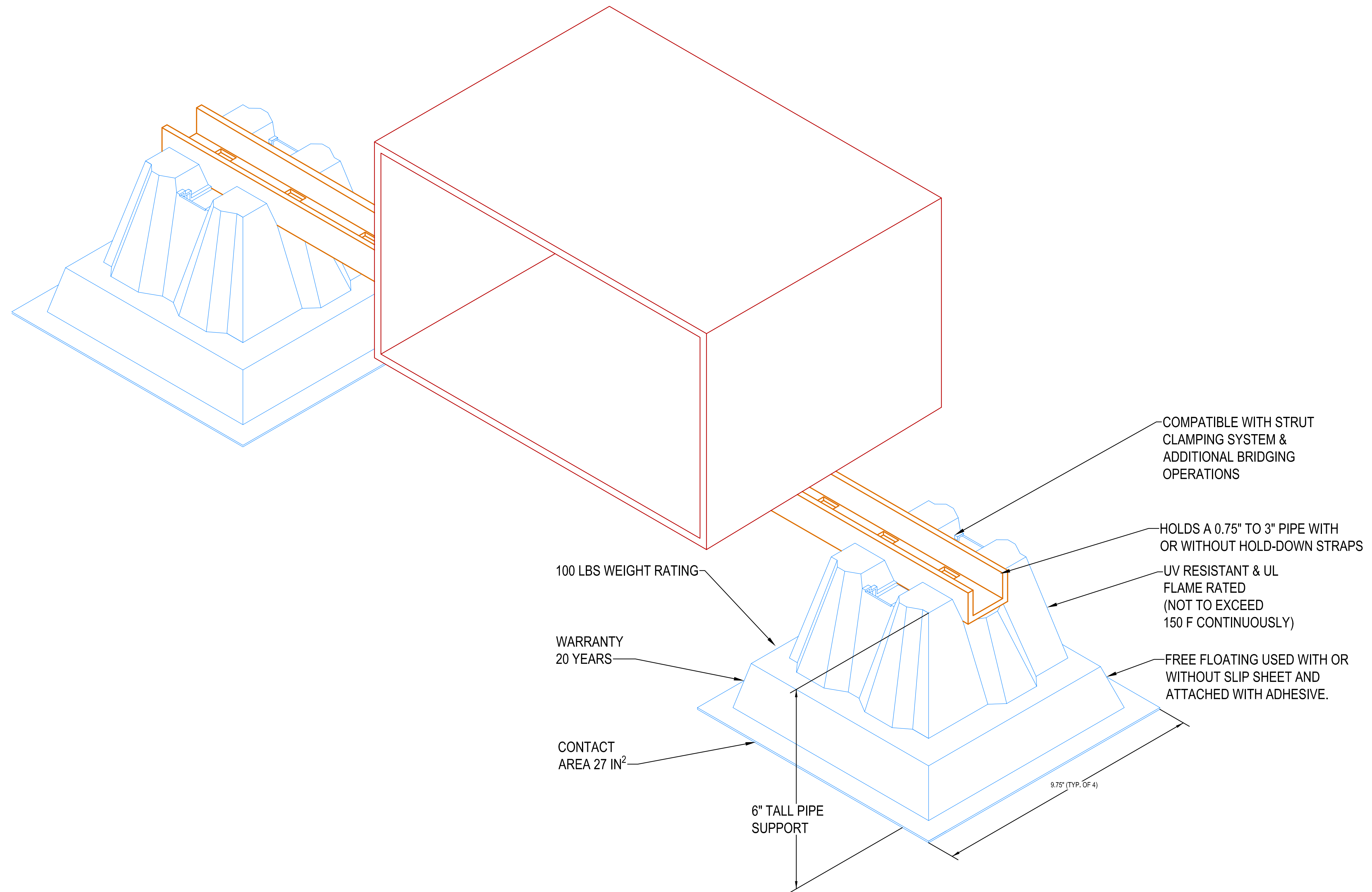


VERSABLOCK
by Freedom Inc

www.versablock.com

P: (208) 454-8168

E: versablock@qwestoffice.net

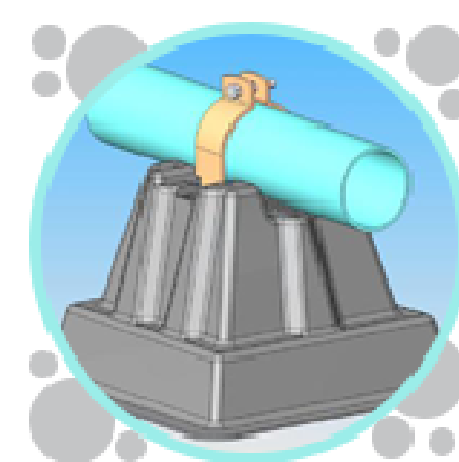
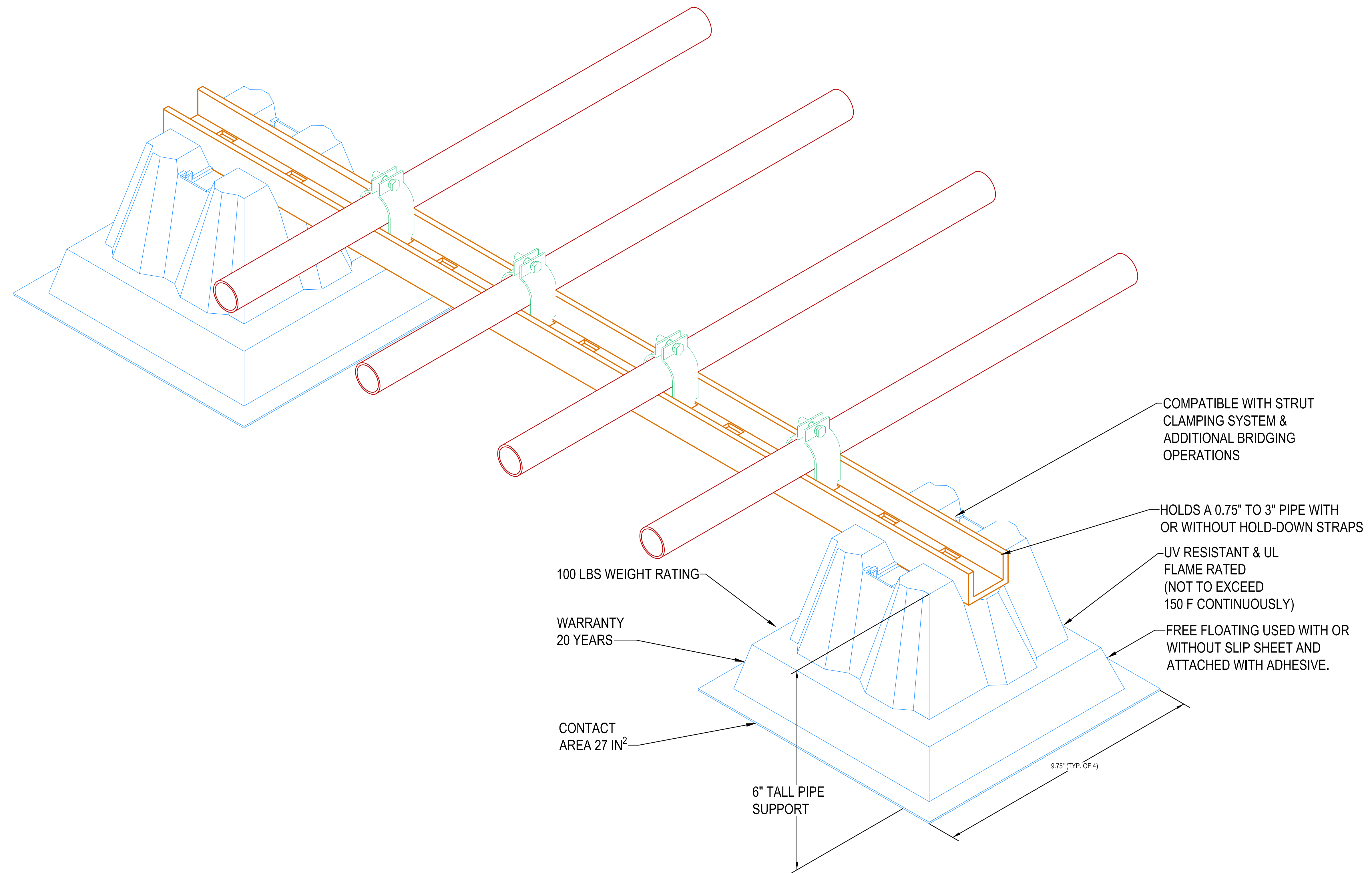


VERSABLOCK
by Freedom Inc

www.versablock.com

P: (208) 454-8168

E: versablock@qwestoffice.net

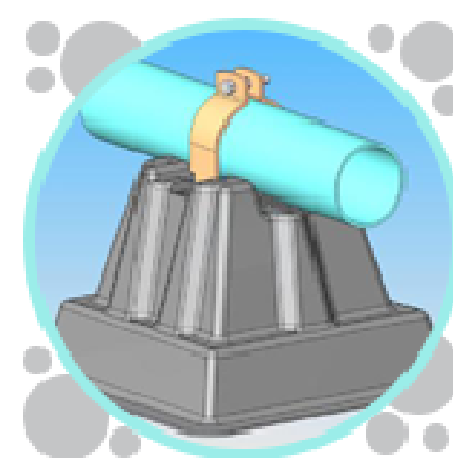
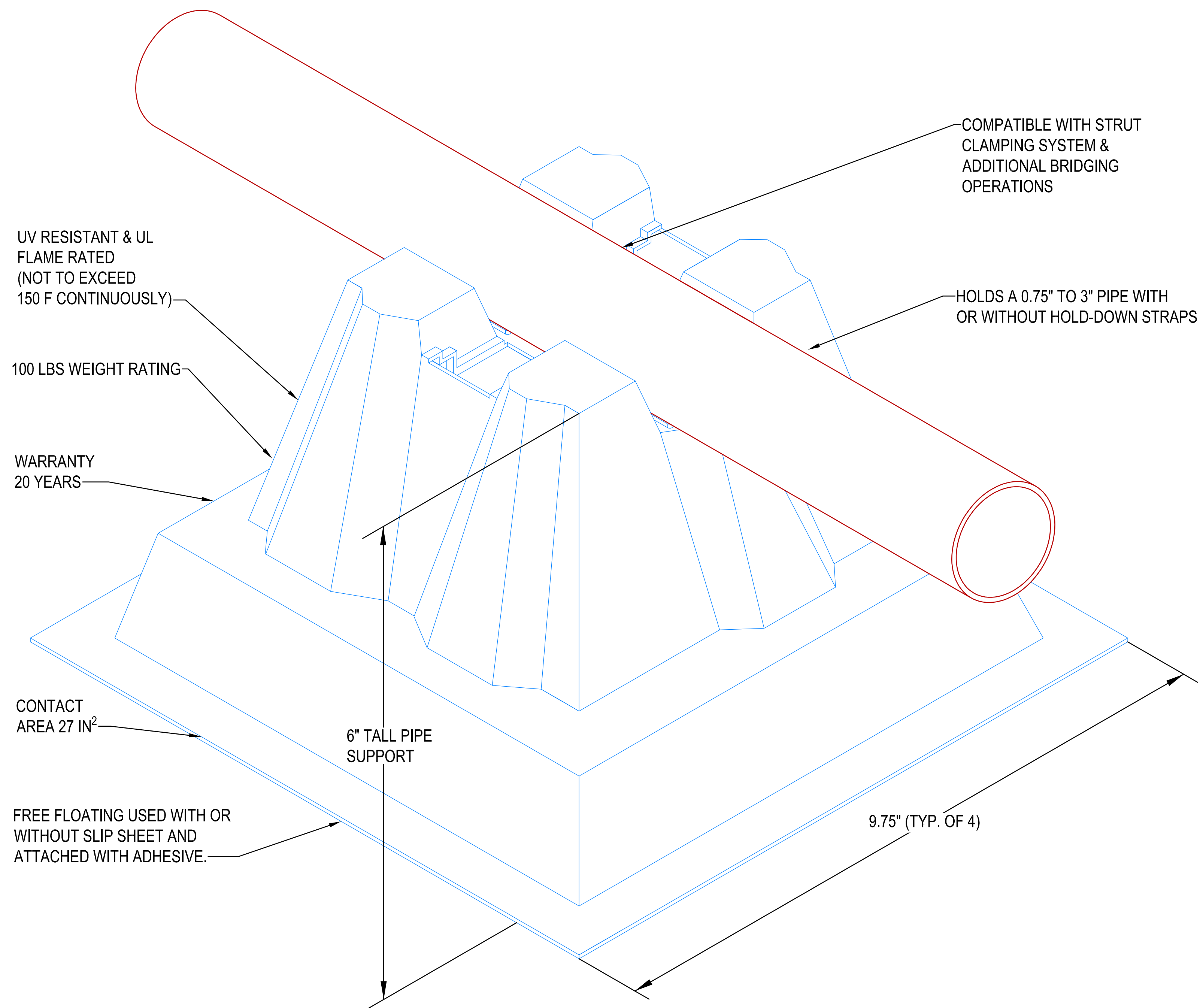


VERSABLOCK
by Freedom Inc

www.versablock.com

P: (208) 454-8168

E: versablock@qwestoffice.net



VERSABLOCK
by Freedom Inc

www.versablock.com

P: (208) 454-8168

E: versablock@qwestoffice.net